

R5434D高串數堆疊線路範例

R5434D高串數堆疊線路範例



Reported
FAE Dept.

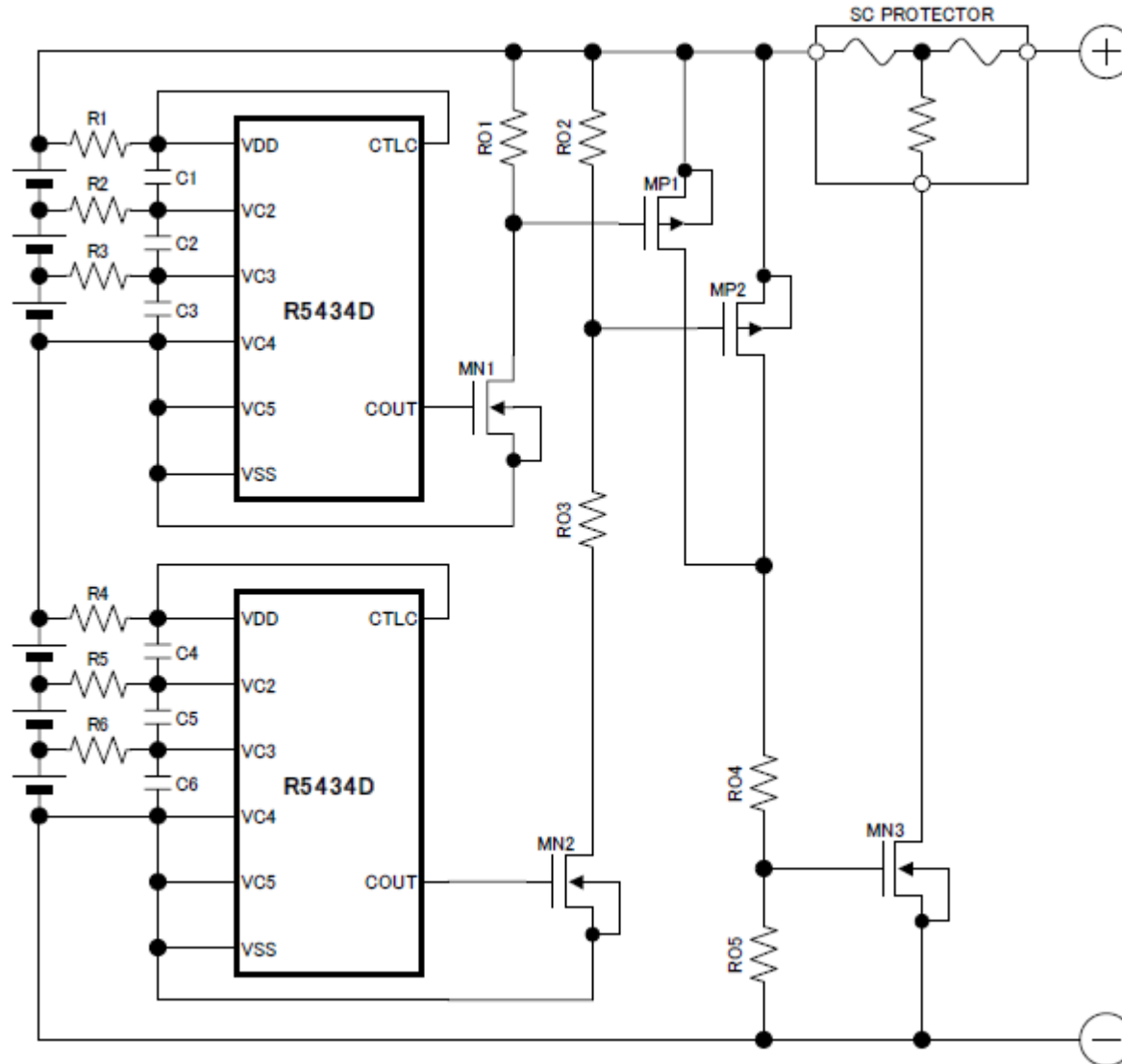
Date
Oct. 13th 2020





Circuit example for 6 cell protection

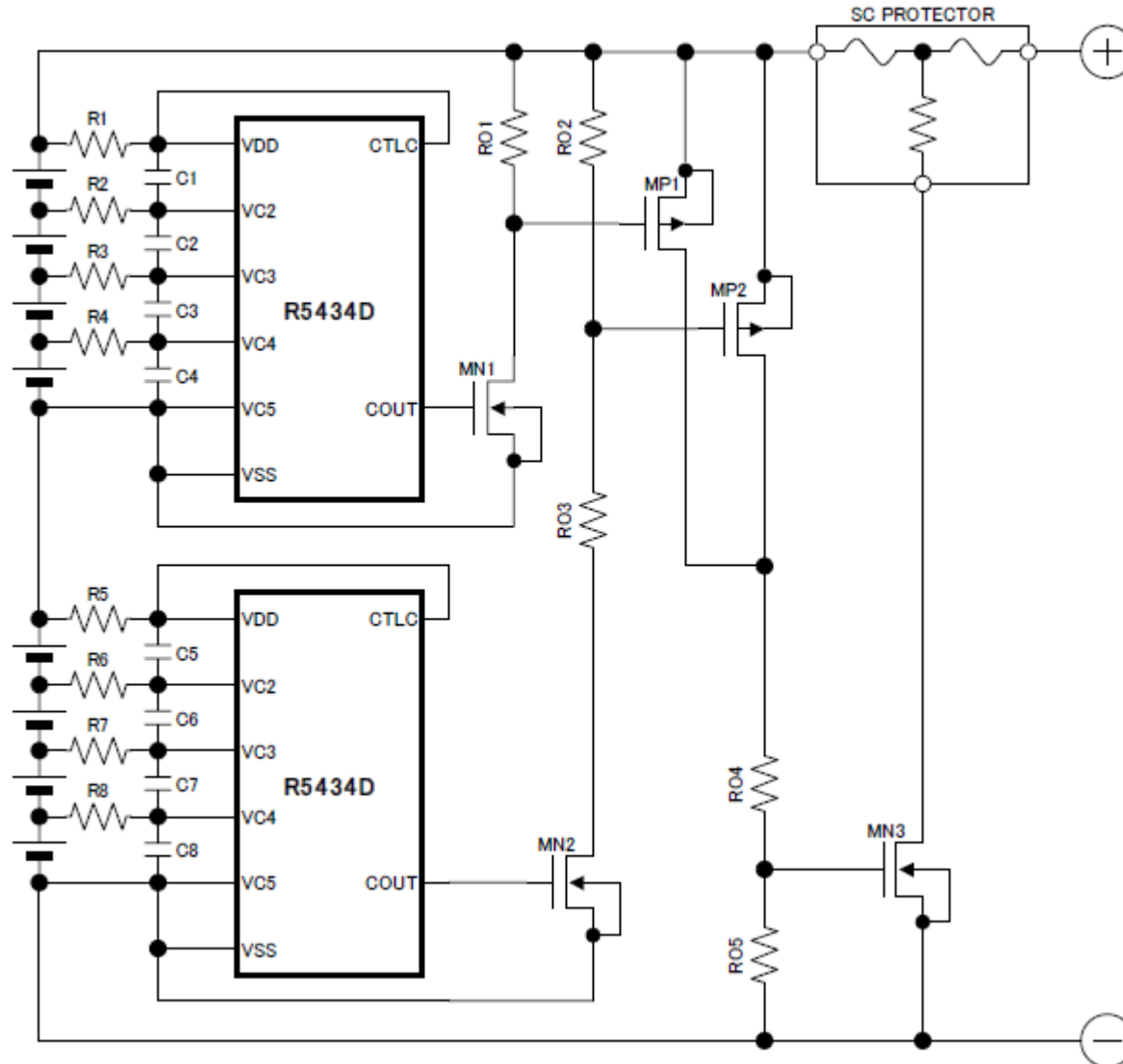
AENEAS





Circuit example for 8 cell protection

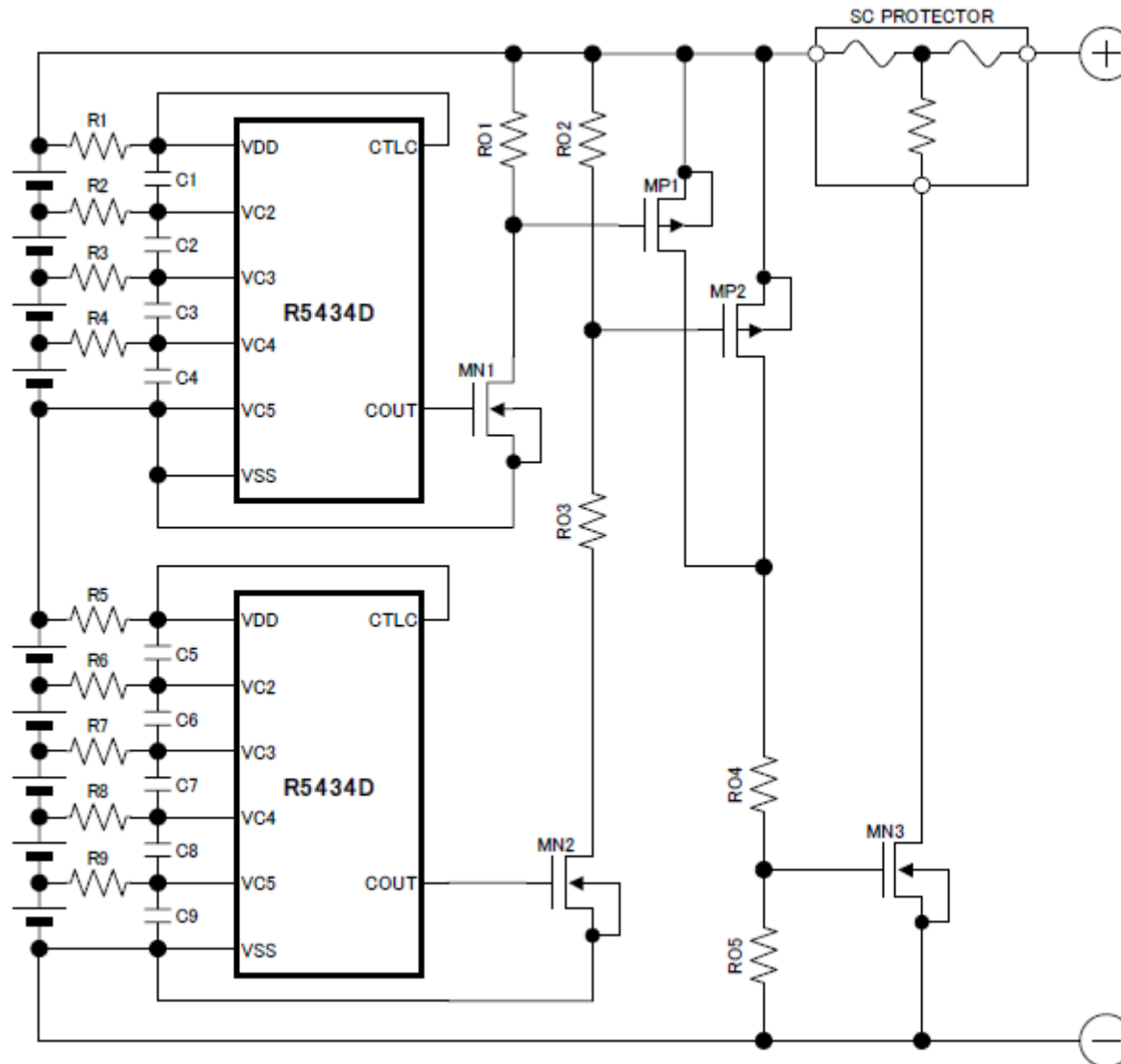
AENEAS





Circuit example for 9 cell protection

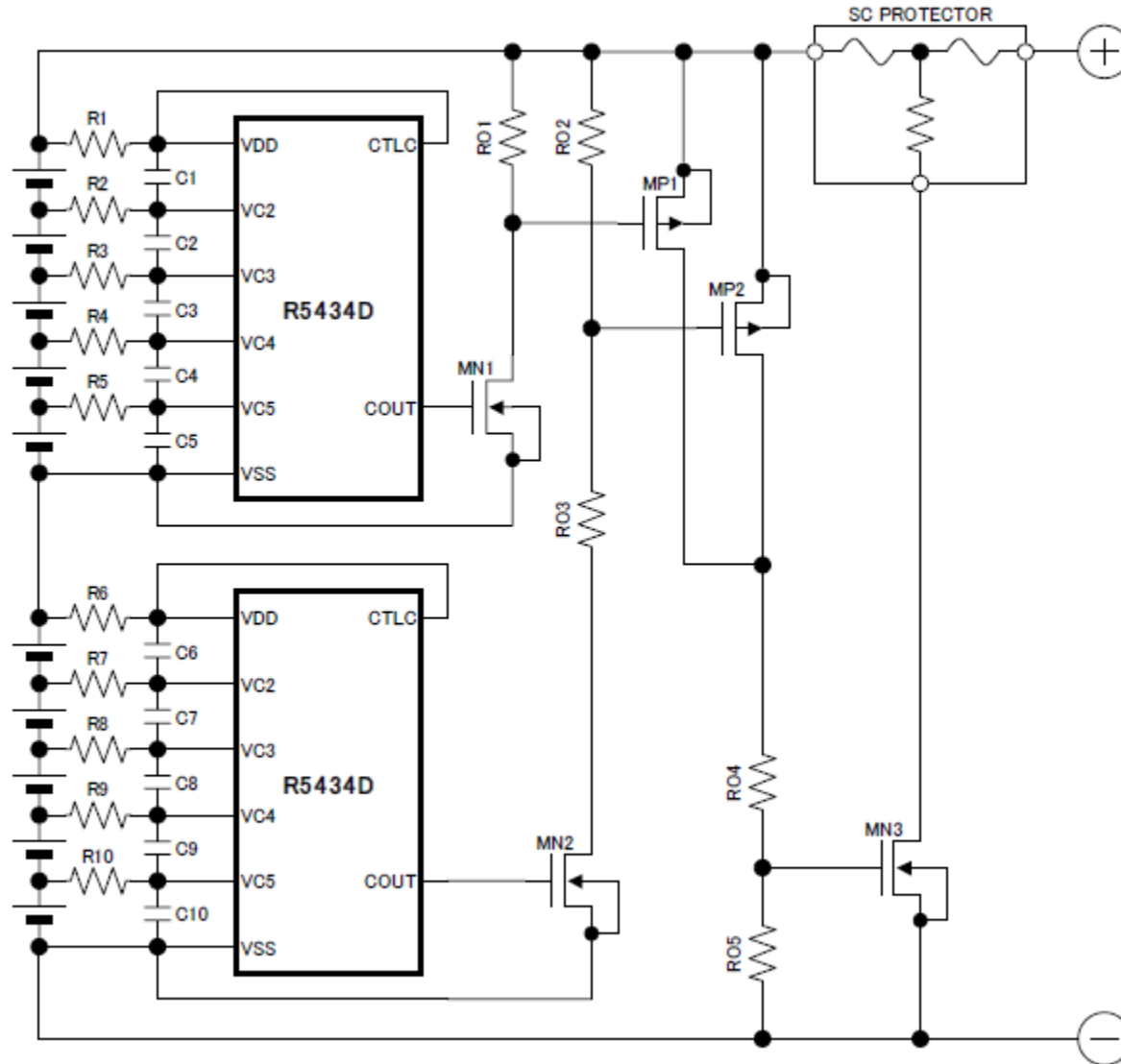
AENEAS





Circuit example for 10 cell protection

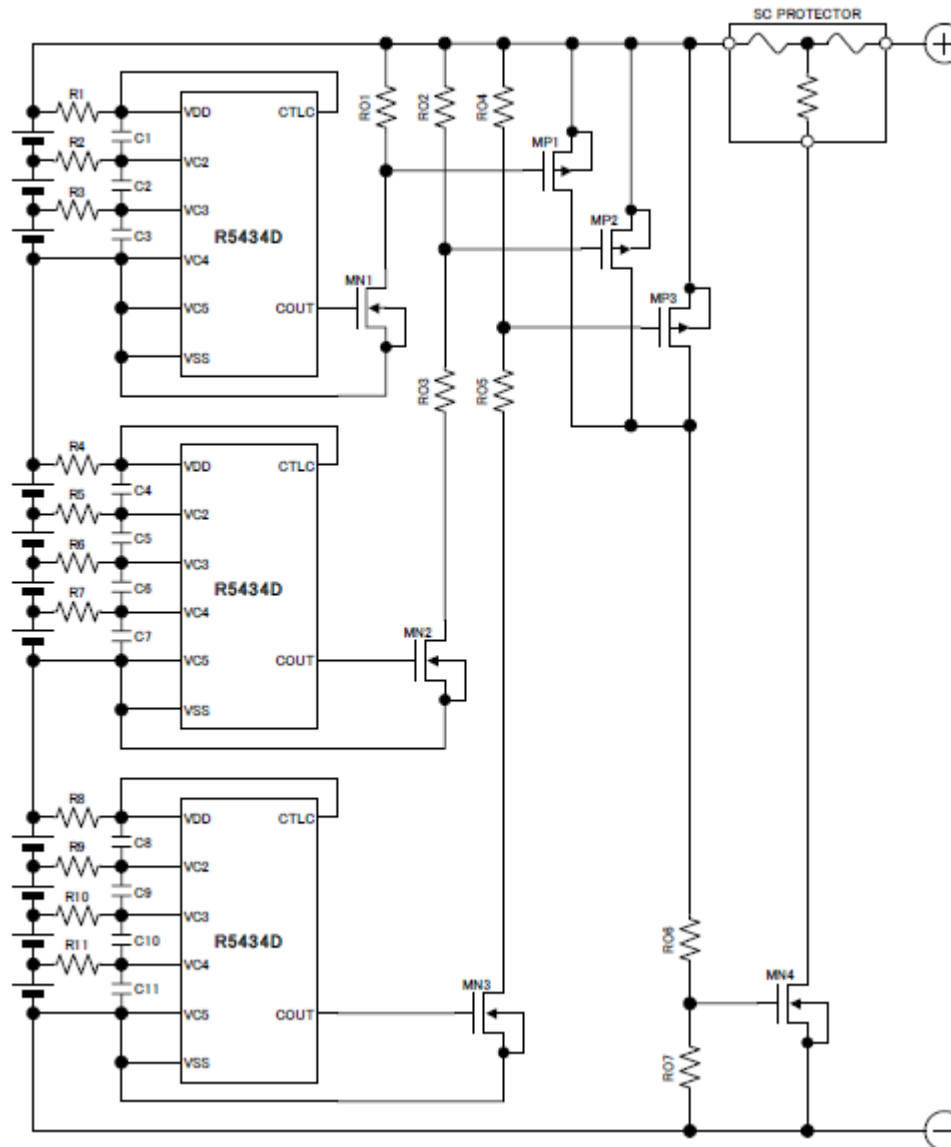
AENEAS





Circuit example for 11 cell protection

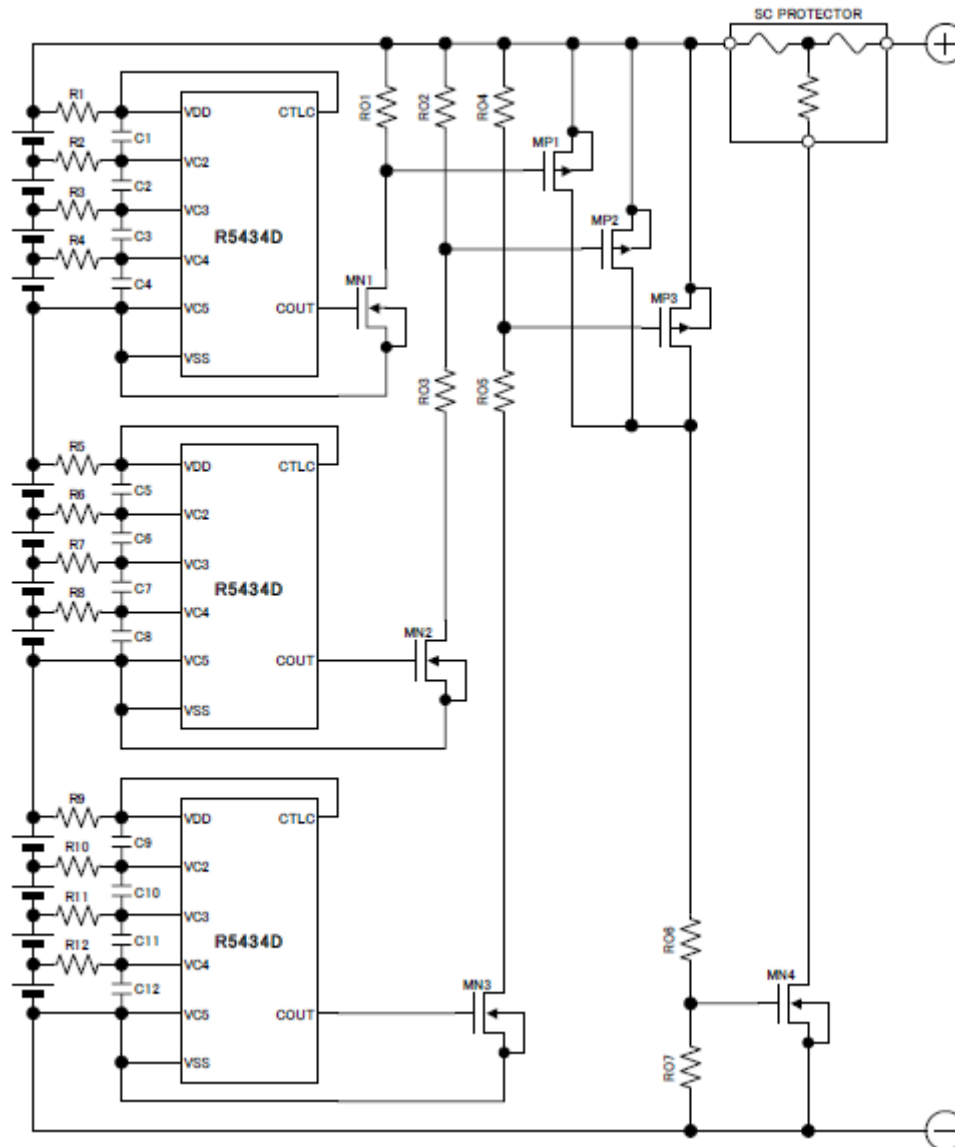
AENEAS





Circuit example for 12 cell protection

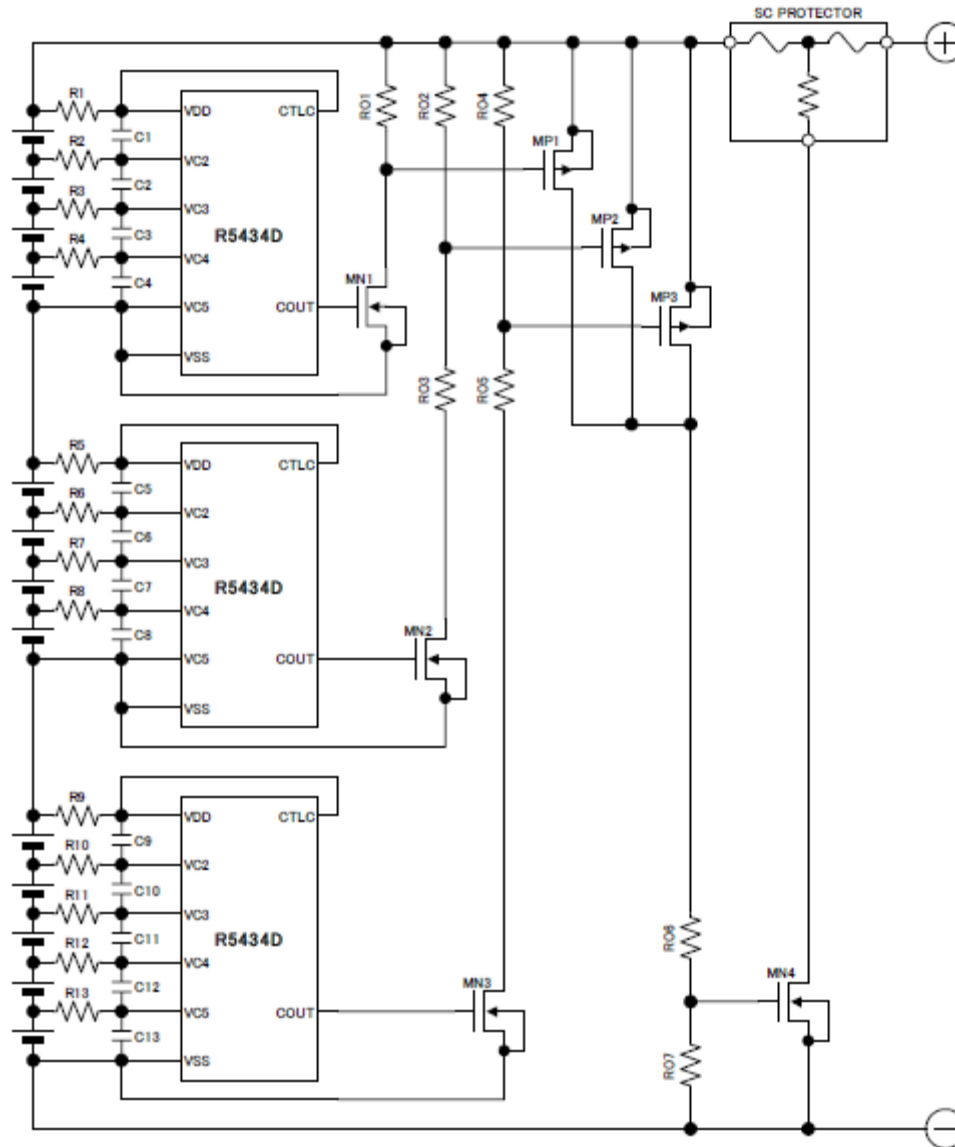
AENEAS





Circuit example for 13 cell protection

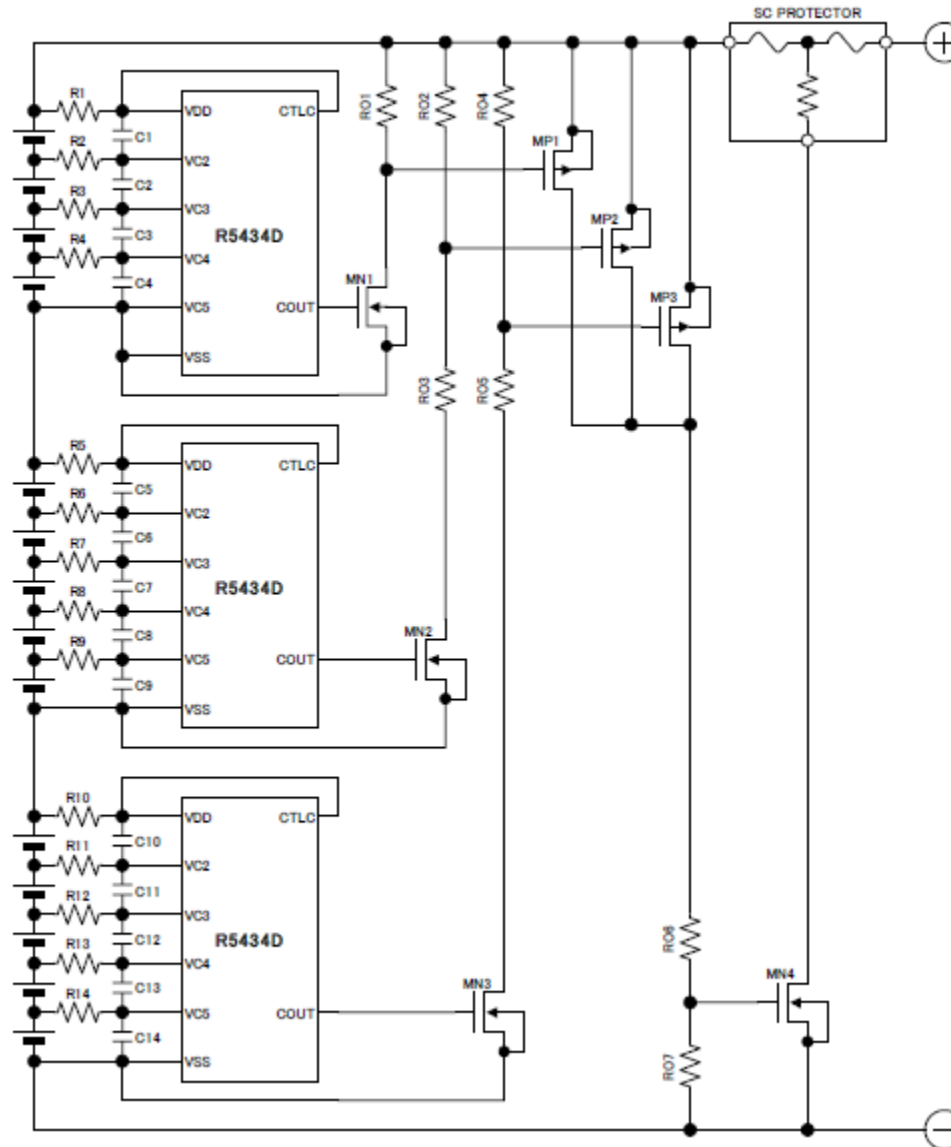
AENEAS





Circuit example for 14 cell protection

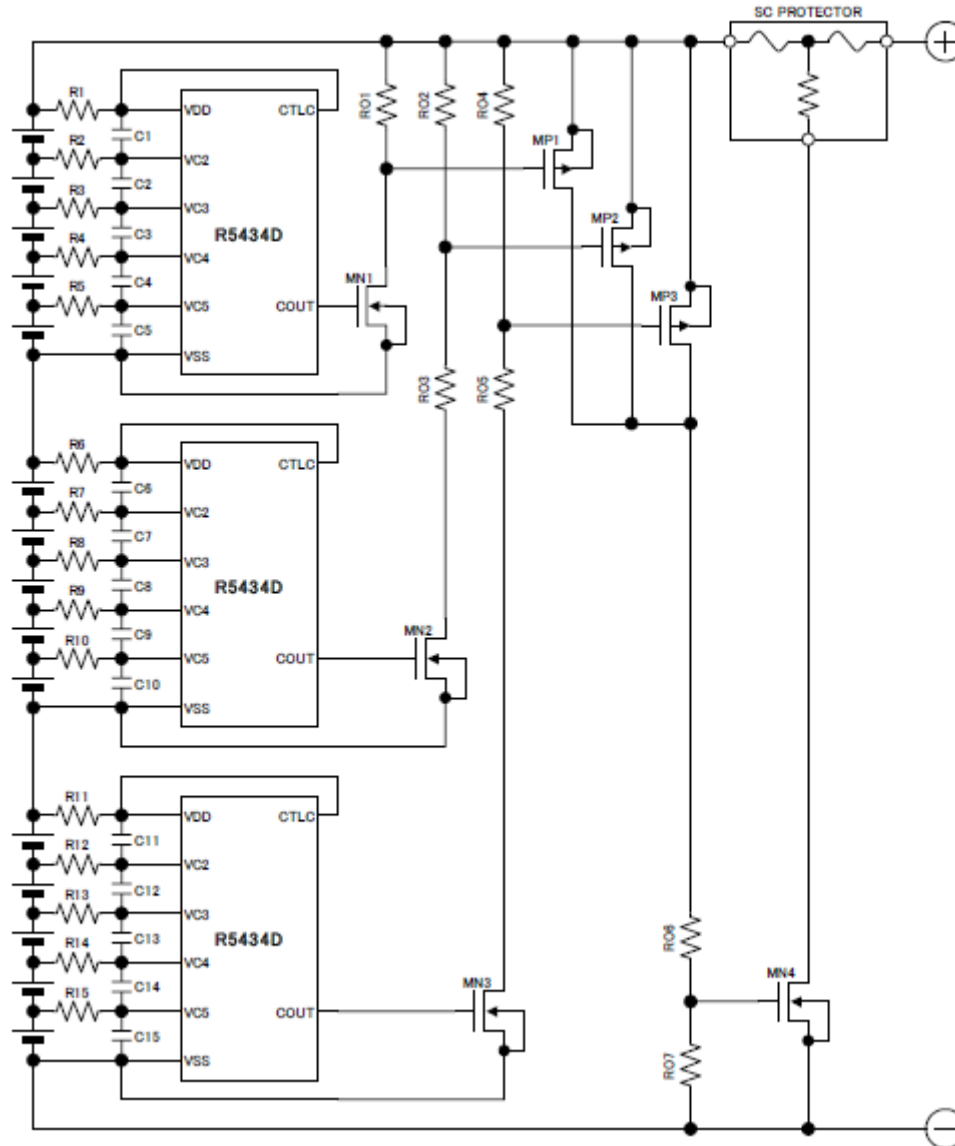
AENEAS





Circuit example for 15 cell protection

AENEAS





To connect the SC protector(Fuse), connect the SC protector(Fuse) to the cell must be the last.

External Component

- Nch-MOSFET MN1 ~ MN4
You can use the switching MOSFET.
Ex) 2SK1590 (RENESAS), NDS7002A (Fairchild) etc.
- Pch-MOSFET MP1 ~ MP3
You can use the switching MOSFET.
Ex) 2SK1590 (RENESAS), NDS7002A (Fairchild) etc.
- Resistance R1 ~ R15
Please use the resistance of $330\Omega \sim 1K\Omega$
(Common value: 330Ω)
- Resistance RO1 ~ RO7
Please use the resistance of More than $100K\Omega$
- Capacitor C1 ~ C15
Please use the capacitor of $0.01\mu F \sim 1\mu F$
(Common value: $0.1\mu F$)



欲知詳情請洽...

AENEAS

F&E team

aeneas_fae@aeneas.com.tw





Thank You!

